

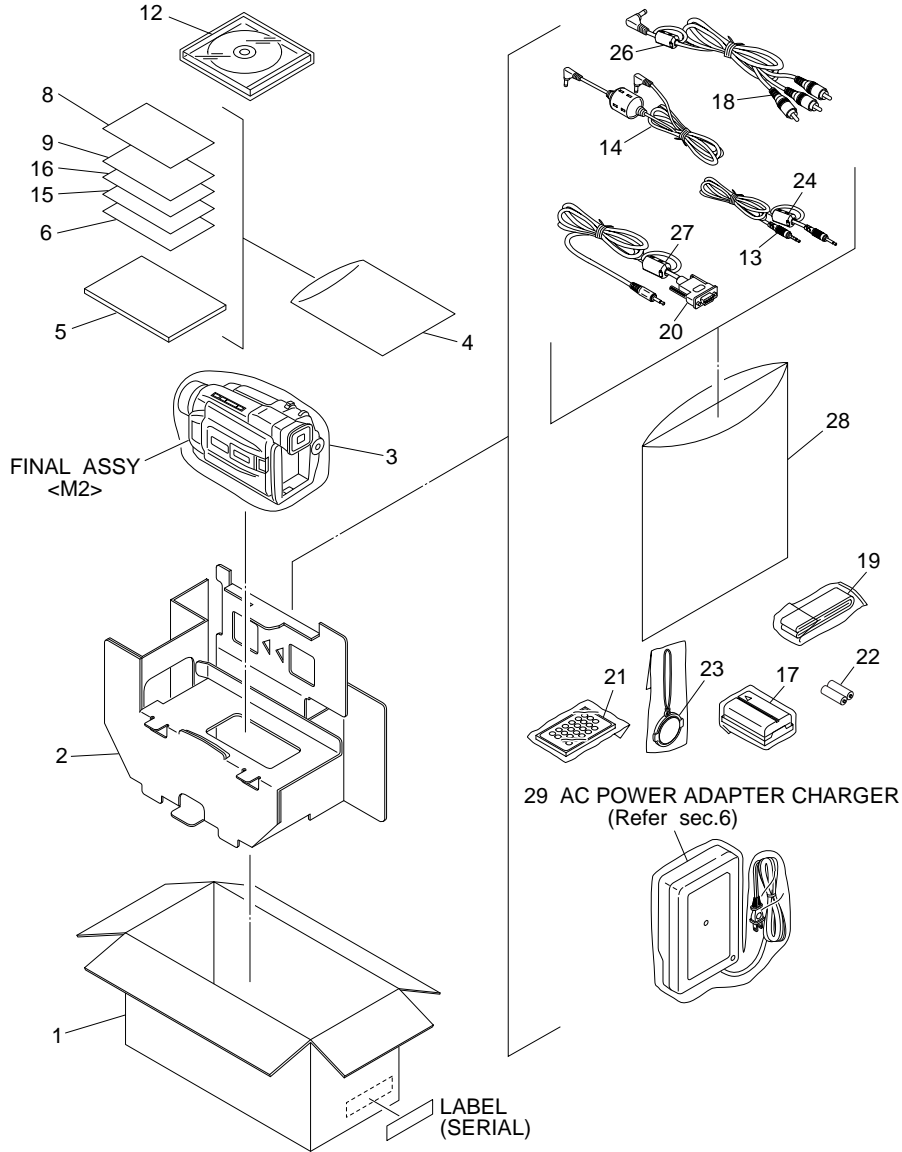
# SECTION 5 PARTS LIST

## SAFETY PRECAUTION

Parts identified by the  $\triangle$  symbol are critical for safety. Replace only with specified part numbers.

### 5.1 PACKING ASSEMBLY <M1>

The instruction manual to be provided with this product will differ according to the destination.



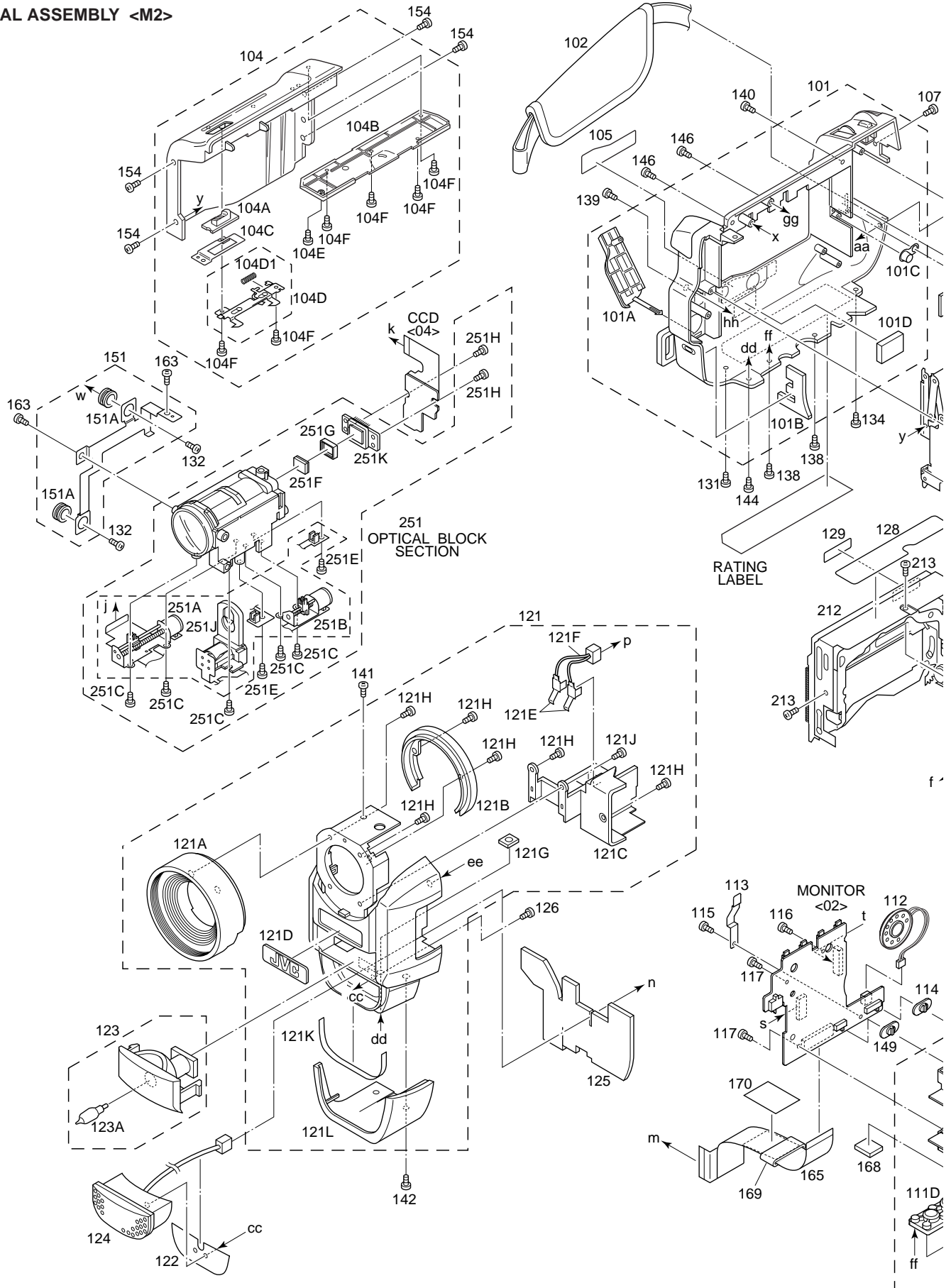
# $\triangle$ REF No.	PART No.	PART NAME, DESCRIPTION
*****		

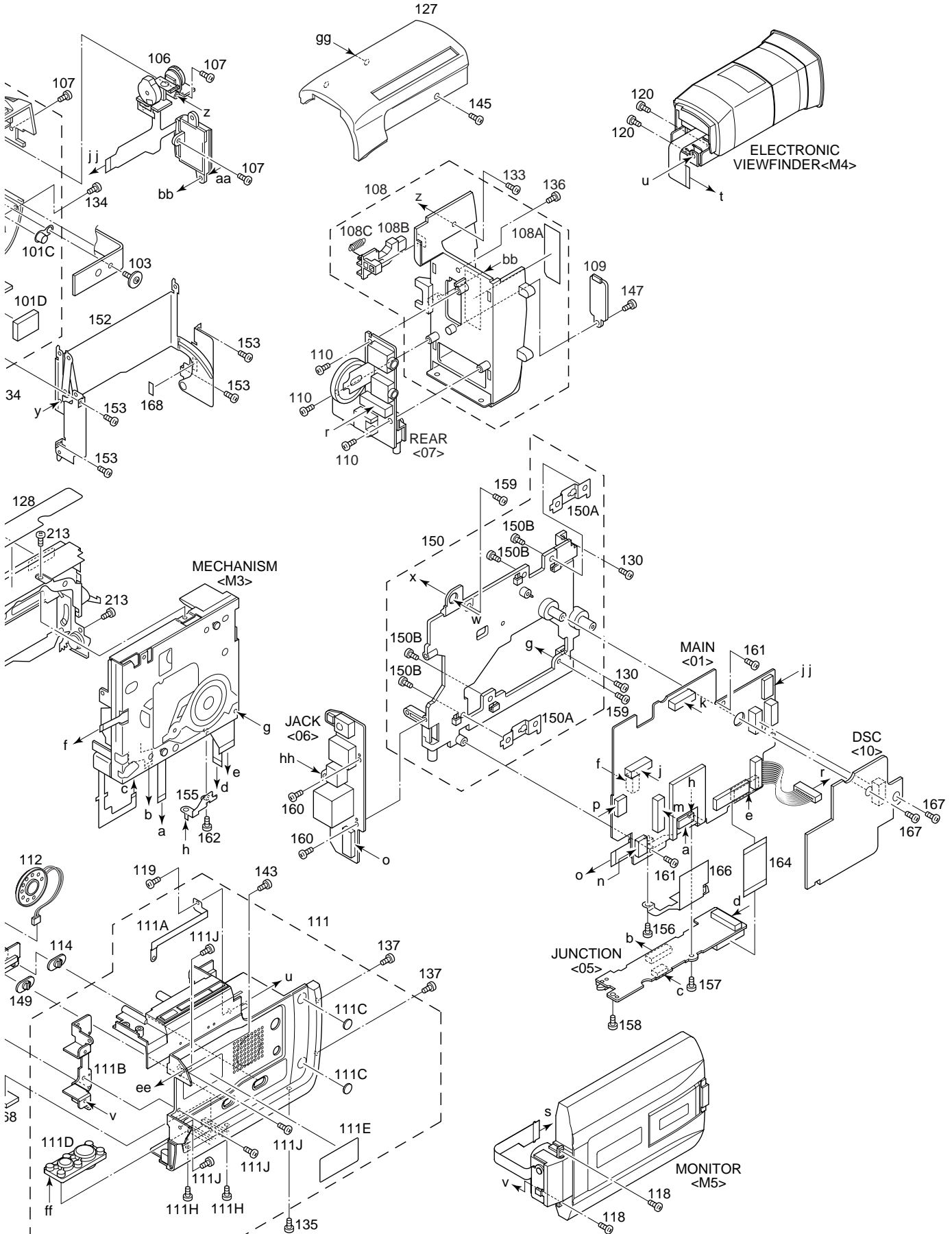
### PACKING ASSEMBLY <M1>

1	LY31631-026A	PACKING CASE
2	LY31632-001A	CUSHION
3	LY30023-015A	POLY BAG
4	QPA02003006	POLY BAG
$\triangle$ 5	LYT0615-001A	IB(KOREA)
$\triangle$ 6	LYT0616-001A	IB(SOFT.SETUP)
8	LYT0378-003A	SHEET(AGREMENT)
12	LY31133-011A	CD ROM
13	QAM0214-001	RM CABLE,EDITING CABLE
14	QAM0170-001	DC CORD

# $\triangle$ REF No.	PART No.	PART NAME, DESCRIPTION
$\triangle$ 15	LYT0616-002A	IB(CAPTURE.KOREA)
$\triangle$ 16	LYT0616-003A	IB(PICNAVI.KOREA)
$\triangle$ 17	LY31587-001A	BATTERY PACK, BN-V408U
18	QAM0211-001	CABLE ASSY,AUDIO/VIDEO CABLE
19	LY20186-001A	SHOULDER STRAP
20	QAM0084-001	PC CONNECTION CABLE
21	LY20543-002A	REMOTE CONTROL UNIT
22	-	BATTERY,AAA(R03),X2
23	LY42182-002A	LENS CAP
24	QQR0491-002	CORE FILTER
26	QQR0918-002	CORE FILTER
27	QQR0491-002	CORE FILTER
28	QPGA017-03005	POLY BAG
$\triangle$ 29	LY20591-010A	AC POWER ADAPTER CHARGER,AA-V40KR

5.2 FINAL ASSEMBLY <M2>





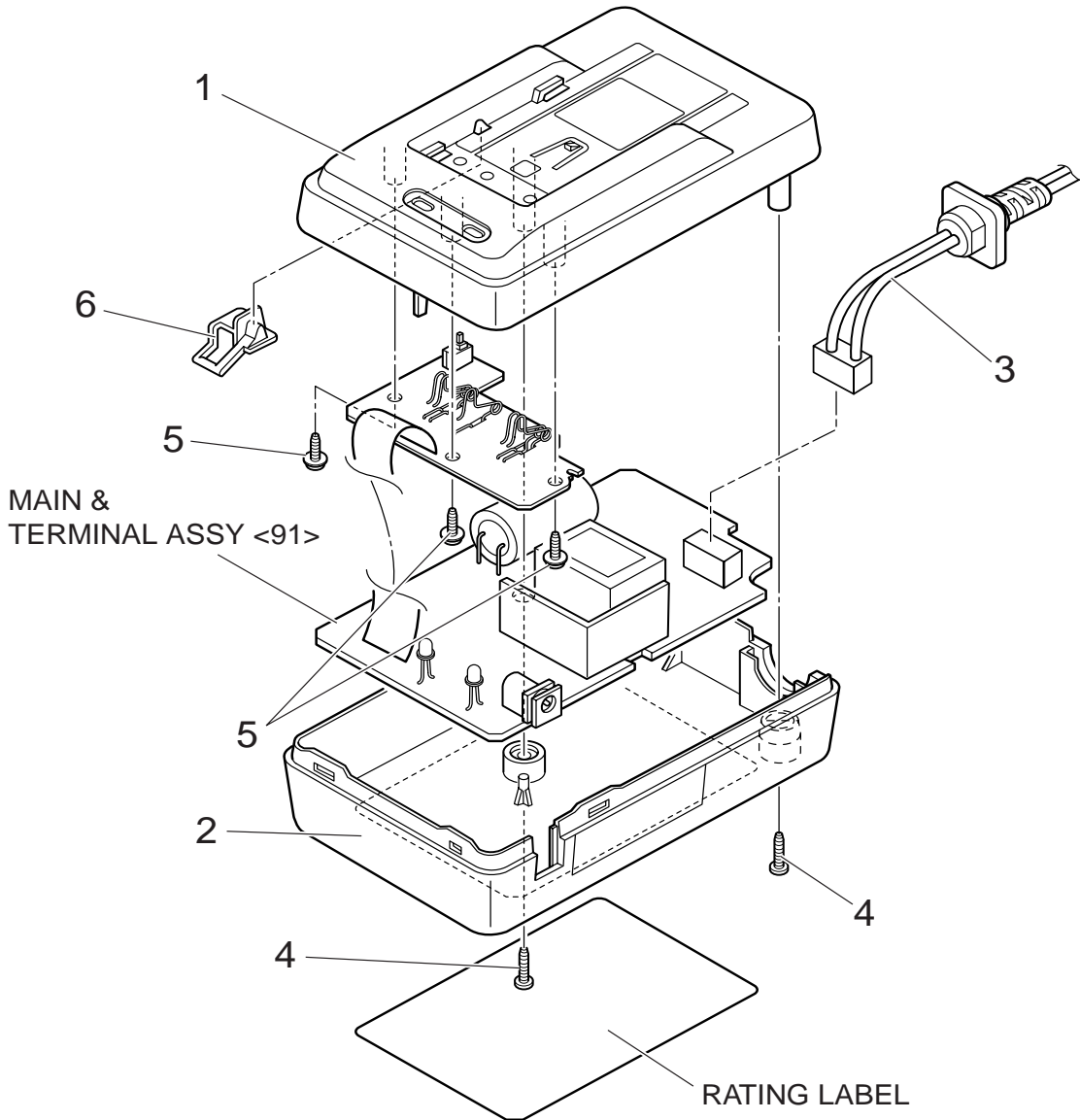


## SECTION 6 AC POWER ADAPTER (AA-V40KR)

### SAFETY PRECAUTION

Parts identified by the  $\triangle$  symbol are critical for safety. Replace only with specified part numbers.

#### 6.1 CABINET ASSEMBLY <MA>



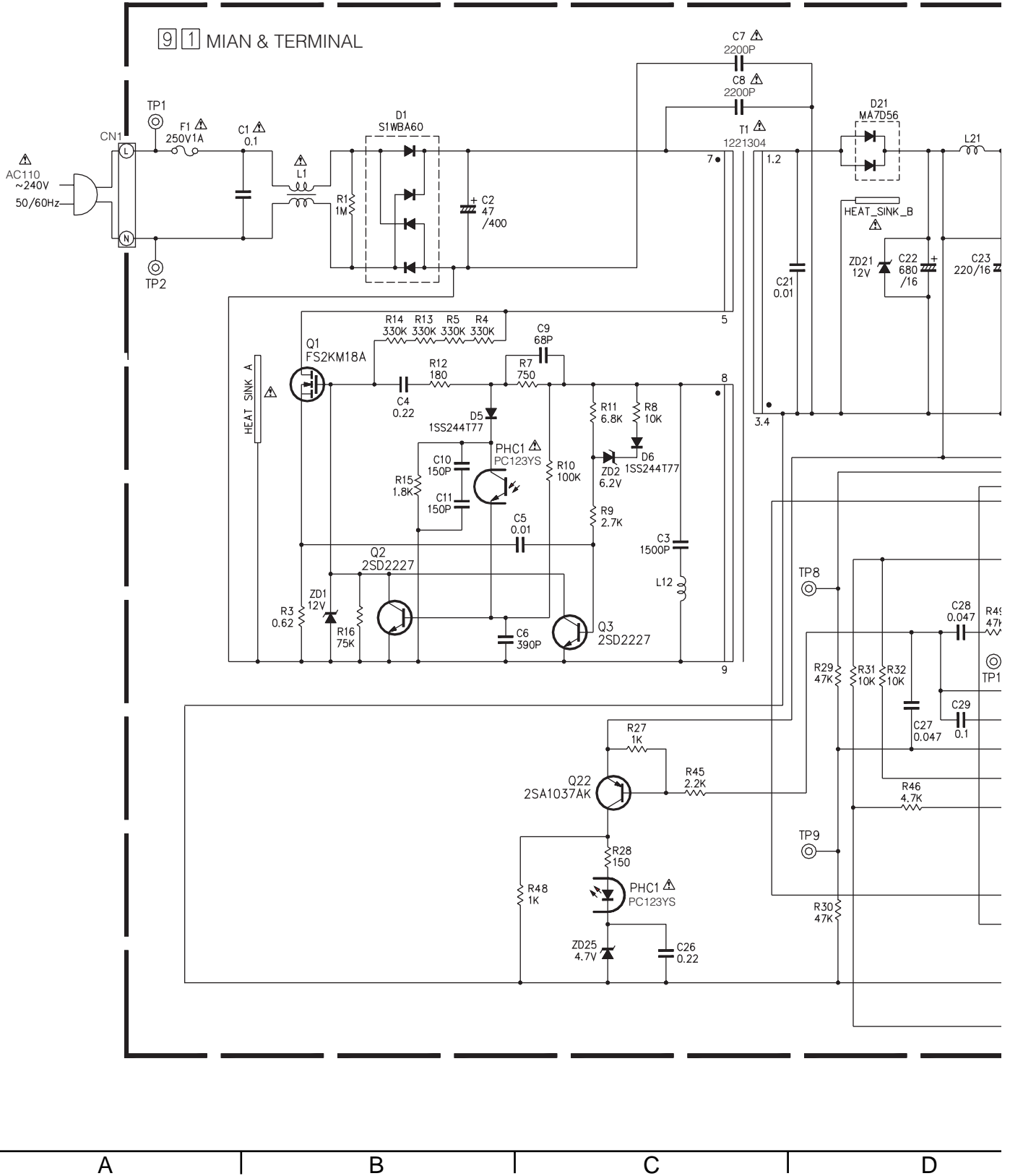
# $\triangle$  REF No. PART No. PART NAME, DESCRIPTION  
 \*\*\*\*\*


#### CABINET ASSEMBLY <MA>

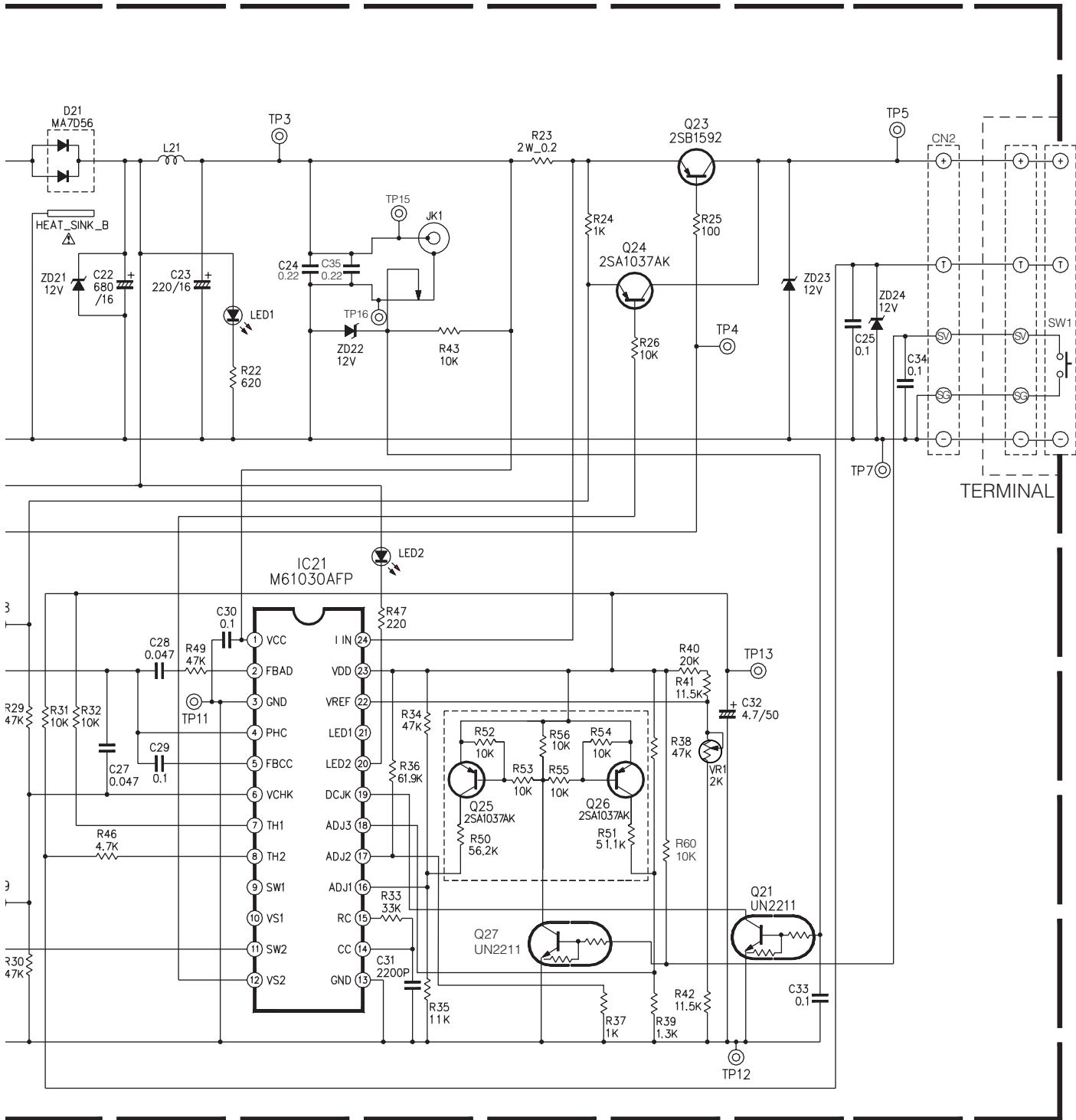
$\triangle$ 1	PTY20591-013	UPPER CASE ASSY
$\triangle$ 2	PTY20483-023	LOWER CASE
$\triangle$ 3	YQ10531-006	POWER CORD
4	YQ10531-011	SCREW,x2
5	PTY20545-055	SCREW,x3
6	PTY20591-053	SWITCH COVER

## 6.2 SCHEMATIC DIAGRAM

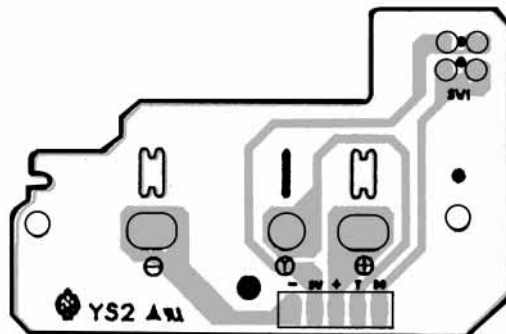
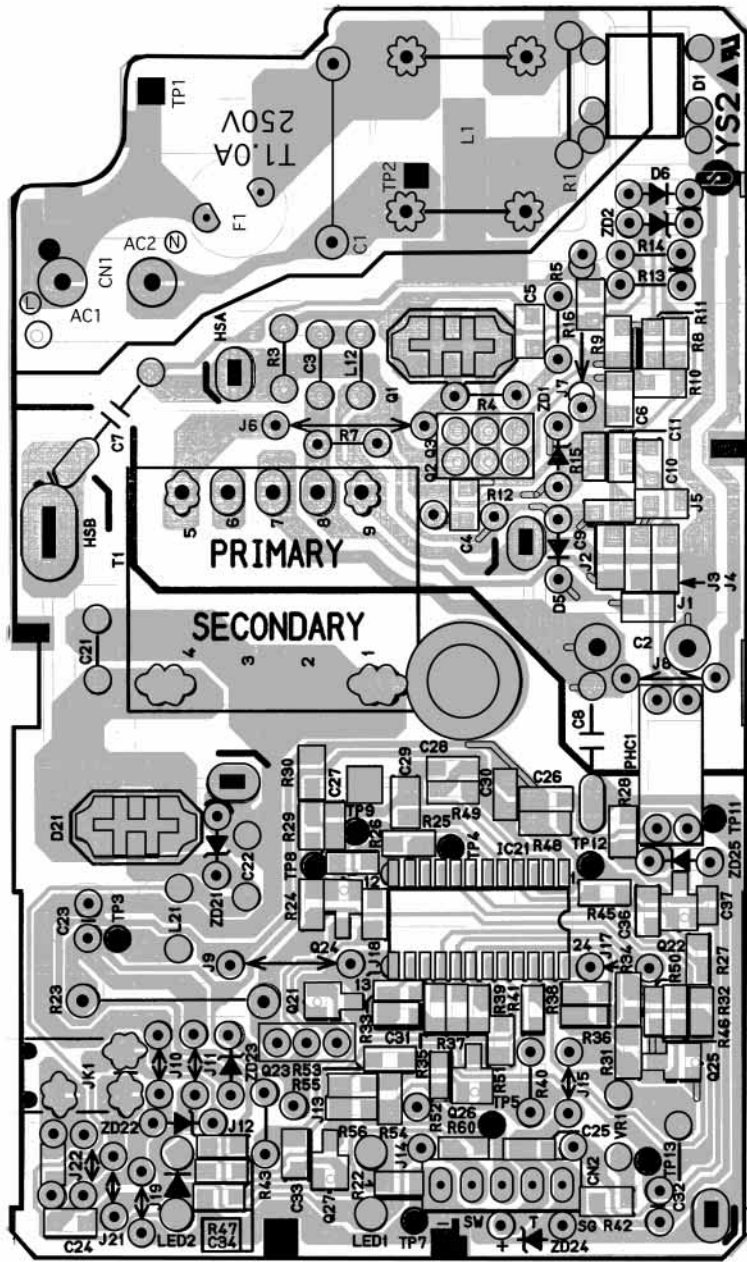
**NOTE :** When ordering parts, be sure to order according to the Part Number indicated in the Parts List.



**Safety precautions**  
 The components identified by the symbol  are critical for safety. For continued safety, replace safety critical components only with manufacturer's recommended parts.



### 6.3 CIRCUIT BOARD





## 6.4 ELECTRICAL PARTS LIST

#	REF No.	PART No.	PART NAME, DESCRIPTION	#	REF No.	PART No.	PART NAME, DESCRIPTION	
*****								
<b>MAIN &amp; TERMINAL BOARD ASSY &lt;91&gt;</b>								
△	PW1	PTY20591-503	MAIN & TERMINAL BOARD ASSY	R40	PTY20450-200	MG RESISTOR	20.0kΩ 1/4W	
△	HS1	PTY20483-071	HEAT SINK A	R41	NRSA02F-1152X	MG RESISTOR	11.5kΩ 1/10W	
△	HS2	PTY20591-072	HEAT SINK B	R42	NRSA02F-1152X	MG RESISTOR	11.5kΩ 1/10W	
	OT1	PTY10067-551	SCREW	R43	QRE141J-103Y	MF RESISTOR	10kΩ 1/4W	
	IC21	M61030AFP	CHARGE COTROL IC 24pin SOP	R45	NRSA02J-222X	MG RESISTOR	2.2kΩ 1/10W	
	Q1	FS2KM18A	MOS FET	R46	NRSA02J-472X	MG RESISTOR	4.7kΩ 1/10W	
	Q2	2SD2227	TRANSISTER	R47	NRSA02J-221X	MG RESISTOR	220Ω 1/10W	
	Q3	2SD2227	TRANSISTER	R48	NRSA02J-102X	MG RESISTOR	1kΩ 1/10W	
	Q21	UN2211TX	DIG.TRANSISTER	R49	NRSA02J-473X	MG RESISTOR	47kΩ 1/10W	
	Q22	2SA1037AK/QR/-X	CHIP TRANSISTER	R50	NRSA02F-5622X	MG RESISTOR	56.2kΩ 1/10W	
	Q23	2SB1592	TRANSISTER	R51	NRSA02F-5112X	MG RESISTOR	51.1kΩ 1/10W	
	Q24	2SA1037AK/QR/-X	TRANSISTER	R52	NRSA02J-103X	MG RESISTOR	10kΩ 1/10W	
	Q25	2SA1037AK/QR/-X	TRANSISTER	R53	NRSA02J-103X	MG RESISTOR	10kΩ 1/10W	
	Q26	2SA1037AK/QR/-X	TRANSISTER	R54	NRSA02J-103X	MG RESISTOR	10kΩ 1/10W	
	Q27	UN2211TX	DIG TRANSISTOR	R55	NRSA02J-103X	MG RESISTOR	10kΩ 1/10W	
				R56	NRSA02J-103X	MG RESISTOR	10kΩ 1/10W	
	D1	S1WBA60	B.DIODE!	600V 1A	△ C1	PTY20292-303	CAPACITOR	0.068μF 275V
	D5	1SS244T77	DIODE	200V 6A	C2	YQ10626-402	E CAPACITOR	47μF 400V
	D6	1SS244T77	DIODE	200V 6A	C3	PTY10067-651	CAPACITOR	1500pF 250V
	D21	MA7D56	DIODE	60V 10A	C4	NCB21CK-224X	CAPACITOR	0.22μF 16V
	ZD1	MTZJ12C-T2	ZENER DIODE	12V	C5	PTY10067-653	CAPACITOR	0.01μF 50V
	ZD2	MTZJ6.2B-T2	ZENER DIODE	6.2V 500mW	C6	NCB21HK-391X	CAPACITOR	390pF 50V
	ZD21	MTZJ12C-T2	ZENER DIODE	12V	△ C7	PTY20538-611	CAPACITOR	2200pF 250V
	ZD22	MTZJ12C-T2	ZENER DIODE	12V	△ C8	PTY20538-611	CAPACITOR	2200pF 250V
	ZD23	MTZJ12C-T2	ZENER DIODE	12V	C9	NDC21HJ-680X	CAPACITOR	68pF 50V
	ZD24	MTZJ12C-T2	ZENER DIODE	12V	C10	NDC21HJ-151X	CAPACITOR	150pF 50V
	ZD25	MA4047NM	ZENER DIODE	4.7V 500mW	C11	NDC21HJ-151X	CAPACITOR	150pF 50V
	LED1	YQ10531-540	LED RED POWER		C21	PTY10067-657	CAPACITOR	0.01μF 250V
	LED2	YQ10531-542	LED GREEN CHARGE		C22	PTY20292-321	E CAPACITOR	680μF 16V
					C23	QETL1CM-227	E CAPACITOR	220μF 16V
	R1	QRN141J-105	RESISTOR	1MΩ 1/4W	C24	NCB21CK-224X	CAPACITOR	0.22μF 16V
	R3	PTY10067-601	MF RESISTOR	0.62Ω 1W	C25	NCF21EZ-104X	CAPACITOR	0.1μF 25V
	R4	QRE141J-334Y	RESISTOR	330kΩ 1/4W	C26	NCB21CK-224X	CAPACITOR	0.22μF 16V
	R5	QRE141J-334Y	RESISTOR	330kΩ 1/4W	C27	NCB21EK-473X	CAPACITOR	0.047μF 25V
	R7	QRE141J-751Y	RESISTOR	750Ω 1/4W	C28	NCB21HK-473X	CAPACITOR	0.047μF 50V
	R8	NRSA02J-103X	MG RESISTOR	10kΩ 1/10W	C29	NCB21EK-104X	CAPACITOR	0.1μF 25V
	R9	NRSA02J-272X	MG RESISTOR	2.7kΩ 1/10W	C30	NCF21EZ-104X	CAPACITOR	0.1μF 25V
	R10	NRSA02J-104X	MG RESISTOR	100kΩ 1/10W	C31	NCB21HK-222X	CAPACITOR	0.0022μF 50V
	R11	NRSA02J-682X	MG RESISTOR	6.8kΩ 1/10W	C32	QEHA1HM-475	E CAPACITOR	4.7μF 50V
	R12	QRE141J-181Y	RESISTOR	180Ω 1/4W	C33	NCF21EZ-104X	CAPACITOR	0.1μF 25V
	R13	QRE141J-334Y	RESISTOR	330kΩ 1/4W	C34	NCF21EZ-104X	CAPACITOR	0.1μF 25V
	R14	QRE141J-334Y	RESISTOR	330kΩ 1/4W	C35	QFLA1HJ-224	F CAPACITOR	0.22μF 50V
	R15	NRSA02J-182X	MG RESISTOR	1.8kΩ 1/10W	△ T1	PTY20538-801	SW TRANS	
	R16	NRSA02J-753X	MG RESISTOR	75kΩ 1/10W	VR1	PTY20483-101	VOLUME	2kΩ
	R22	NRSA02J-621X	MG RESISTOR	620Ω 1/10W	△ F1	PTY20450-041	FUSE	1A 250V
	R23	PTY20539-605	MF RESISTOR	0.20Ω 2W	JK1	YQ21032-301	DC JACK	
	R24	NRSA02J-102X	MG RESISTOR	1kΩ 1/10W	△ L1	PTY20450-401	LINE FILTER	
	R25	NRSA02J-101X	MG RESISTOR	100Ω 1/10W	L12	PTY10067-702	BEAD INDUCTOR	
	R26	NRSA02J-103X	MG RESISTOR	10kΩ 1/10W	L21	PTY10067-703	COIL	
	R27	NRSA02J-102X	MG RESISTOR	1kΩ 1/10W	△ PHC1	PC123YS	PHOTO COUPLER	
	R28	NRSA02J-151X	MG RESISTOR	150Ω 1/10W	SW1	PTY20545-662	SWITCH	
	R29	PTY20539-601	MG RESISTOR	47.0kΩ 1/10W	WR1	PTY20591-052	FLAT CABLE (5P)	
	R30	PTY20539-601	MG RESISTOR	47.0kΩ 1/10W	TB1	PTY20545-051	TERMINAL,x5	
	R31	NRSA02F-103X	MG RESISTOR	10.0kΩ 1/10W	CN1	PTY20483-001	CONNECTOE	
	R32	NRSA02J-103X	MG RESISTOR	10kΩ 1/10W				
	R33	NRSA02J-333X	MG RESISTOR	33kΩ 1/10W				
	R34	PTY20539-601	MG RESISTOR	47.0kΩ 1/10W				
	R35	PTY20539-602	MG RESISTOR	11.0kΩ 1/10W				
	R36	NRSA02F-6192X	MG RESISTOR	61.9kΩ 1/10W				
	R37	PTY20539-603	MG RESISTOR	1.0kΩ 1/10W				
	R38	PTY20539-601	MG RESISTOR	47.0kΩ 1/10W				
	R39	PTY20539-604	MG RESISTOR	1.3kΩ 1/10W				